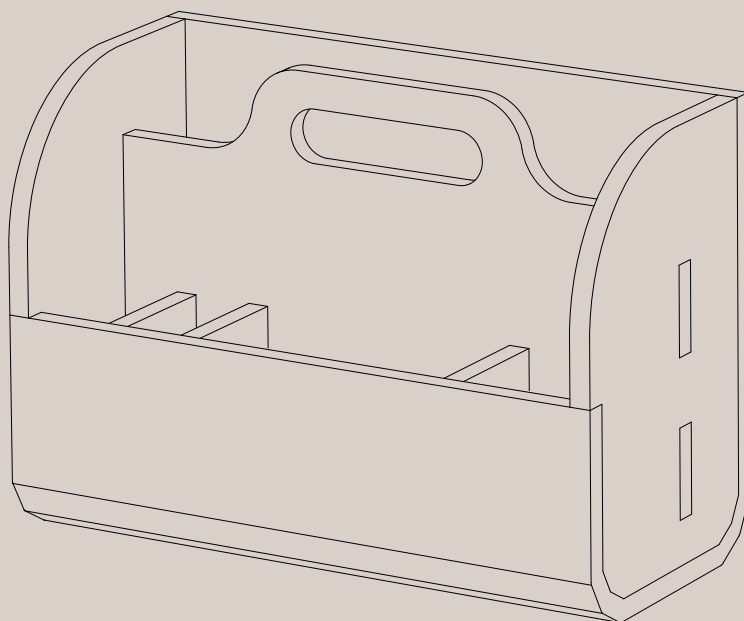


IMPACT ACOUSTIC®



TwoWay Accessories

791.12.10.000.00
791.12.12.000.00

TECHNICAL DATA SHEET

TwoWay Accessories

General Information



Data

Applicable article numbers

791.12.10.000.00

791.12.12.000.00

Dimensions¹

Height	250 mm	13.78"	250 mm	13.78"
Width	360 mm	14.17"	524 mm	21.26"
Thickness	12 mm	0.47"	12 mm	0.47"

Material

Panel 100% PET (60% post-consumer) in 32 colors



Weight²

PET Panel 12mm (0.47") 2.4 kg/m² 0.49 lbs/sq.ft

Included

Panel	Installation guide	Warranty 2 years ³

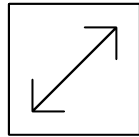
1 - all dimensions are nominal 2 - all weight values are nominal 3 - Impact Acoustic warranty terms apply

TwoWay Accessories

Specification Guide

Ensure you make the perfect choice by choosing our solutions for your next project. Explore our range of standard solutions or contact us directly for a more in-depth discussion of personalised customized options.

1 Specify your product:



Size
page 4-5



Color
page 6

2 Article numbers:

Item	Material	Size option	Color
791	12mm	Choose size as shown on p. 4 & 5	Choose color as shown on p. 6

Example: 791.12.10.000.00

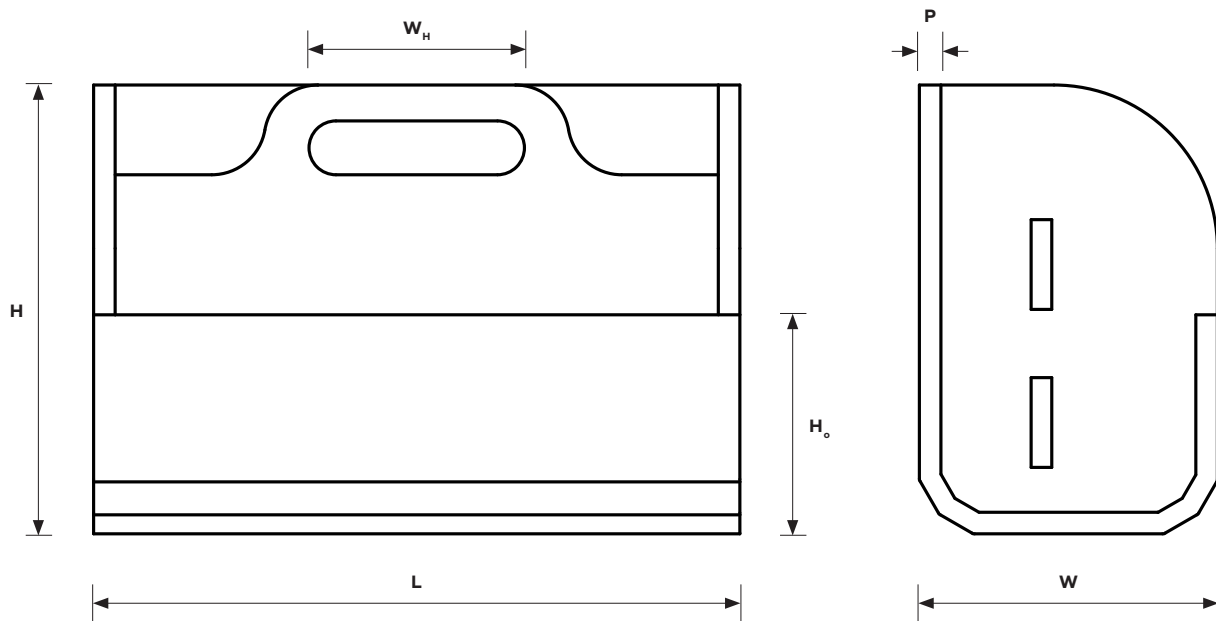
Accessories - TwoWay, 12mm, 360 x 165 x 250mm - 662 - Poster Red

TwoWay Accessories

Geometry Information

Custom solutions available

TwoWay Accessories 791.12.10.000.00



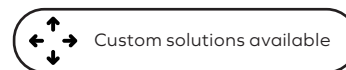
Dimensions table¹

L	Total length	360 mm	14.17"
W	Total width	166 mm	6.54"
H	Height	250 mm	9.84"
H_o	Height organiser	122 mm	4.80"
W_h	Width handle	120 mm	4.72"
P	Material thickness	12 mm	0.47"

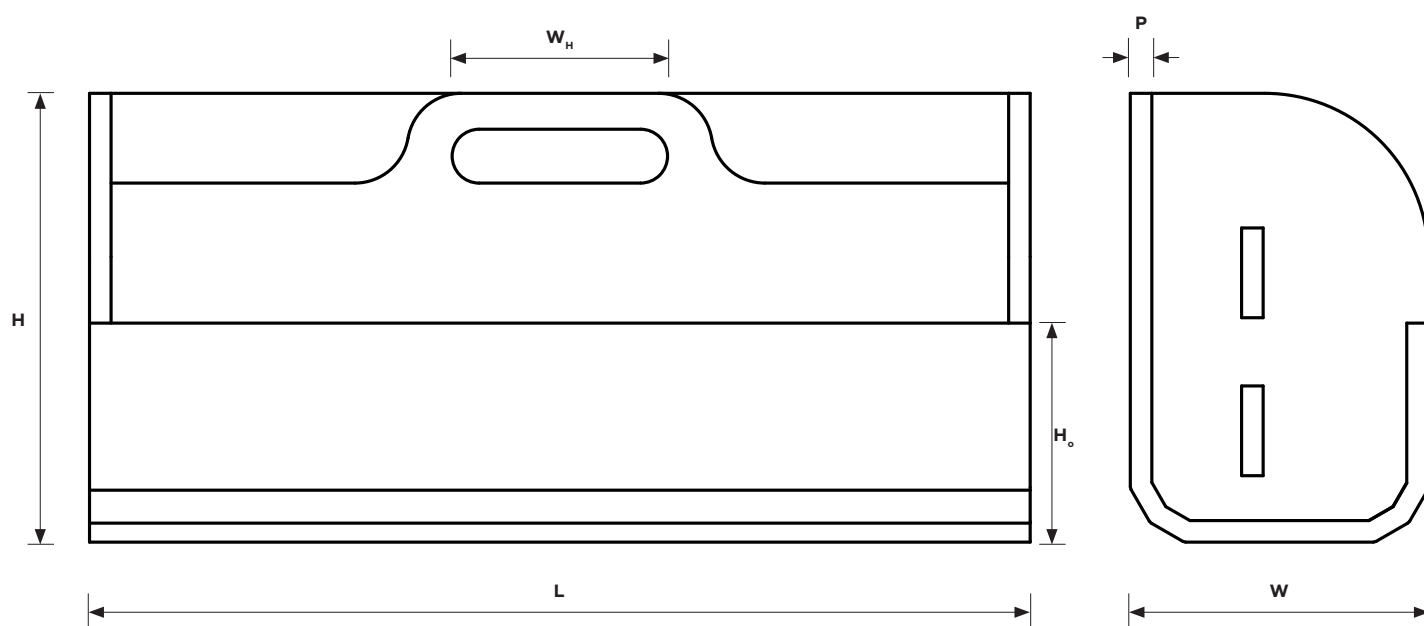
1 - all dimensions are nominal

TwoWay Accessories

Geometry Information



TwoWay Pro Accessories 791.12.12.000.00



Dimensions table¹

L	Total length	524 mm	21.26"
W	Total width	166 mm	6.54"
H	Height	250 mm	9.84"
H_o	Height organiser	122 mm	4.80"
W_h	Width handle	120 mm	4.72"
P	Material thickness	12 mm	0.47"

1 - all dimensions are nominal

ARCHISONIC®

Colors

 Material brochure available



Name	Snow White	Milk	Cloud	Smoke	Ground	Charcoal	Slate	Raven
Color Code	500	404	103	442	108	542	444	550
NCS Code	S 0300-N	S 0502-Y	S 1002-B	S 3005-R80B	S 5005-Y20R	S 7502-B	S 4500-N	S 8500-N



Name	Nordic Pine	Grove	Moss	Spearmint	Ice Blue	Succulent	Deep Sea	Marine Blue
Color Code	311	317	439	706	304	712	918	864
NCS Code	S 5030-G10Y	S 7020-G30Y	S 2040-G40Y	S 1010-B90G	S 0510-B	S 3020-B30G	S 5020-R90B	S 4050-R70B



Name	Linen	Shell Pink	Jute	Warm Stone	Terracotta	Soft Coral	Honeycomb	Sunshine
Color Code	107	102	920	105	239	516	139	846
NCS Code	S 1505-Y30R	S 0510-R30B	S 3010-Y30R	S 3010-Y50R	S 4040-Y70R	S 2020-Y90R	S 2050-Y20R	S 1040-Y10R



Name	Garnet	Hot Pink	Poster Red	Electric Orange	Winter Sky	Pacific Ocean	Midnight	Grape
Color Code	724	140	662	464	311	432	810	540
NCS Code	S 5040-R10B	S 2060-R20B	S 1080-R	S 0580-Y70R	S 5030-G10Y	S 3040-B	S 7020-R70B	S 5040-R40B

These NCS codes are the closest visual match available and may not be exact to blended fibres.

ARCHISONIC®

Colors

Experience our ARCHISONIC® Felt material with a stunning selection of 32 colors across 8 distinct families, thoughtfully curated by *Colour Hive* in London. Effortlessly combine colors harmoniously to suit your preferences. Discover more in our Materials brochure and order your free sample box today.

Color fastness

Class 6

ISO 105-B02:A1

Order a free sample box



ARCHISONIC® Felt

Material Specification

Product Name	Archisonic® Felt	
Content	100% PET (60% certified post-consumer content)	
Thickness¹	12mm (0.47")	24mm (0.94")
Max. Size	1200x2800mm (47"x110")	1800x2400mm (70"x94")
Acoustic²	ASTM: NRC=0.6 ISO: α_w =0.65	ASTM: NRC=0.9 ISO: α_w =0.95
Density¹	2400 g/m ² (0.49 lbs/ sqft)	4000 g/m ² (0.82 lbs/sqft)
Color Fastness	Class 6 ISO 105-B02:A1	
Color	32 colors (see Archisonic® Felt Color page for more information)	
Maintenance	For daily cleaning we recommend alcohol solution (75%), e.g. Pantasept. In case of contamination by dust or fluff, use feather duster or a regular vacuum cleaner. For heavy dirt, treat the material with hydrogen peroxide.	
Lead time³	21 days	
Fire Rating	DIN EN 13501-1: B-s1, d0	ASTM E84 Class A
VOC Emission	28 Days French Regulation A+ ASTM E84 Pass Bream® (International, UK, NL, SE, NOR) Exemplary CDPH (CDPH/EHLB/Standard Method V1.2) Pass	
Certifications	Declare label, Cradle to Cradle, UL Environmental Product Declaration, Member of US Green Building Council, Ecobau 1st Priority, Climmate-KIC, VOC emissions in LEED EQ credit (low-emitting products), SCS Recycled Content	
Durability	Contract	

1 - all values are nominal 2 - measured with 300mm air cavity 3 - depending on the location and type of product



Climate-KIC is supported by the EIT, a body of the European Union



Declare.



TwoWay Accessories

Additional Information

Online Resources

A variety of resources are available online for all of our products. Please visit the product's page for more information.



CAD files



Spec sheets and
Installation Guide



Color families



Instruction
videos



Associated
products specs.

Ordering Process

Our experienced team of Project Consultants will guide and support you throughout the order process. We fulfill the majority of our orders in as little as 21 days¹ from your first point of contact, allowing you to focus on what truly matters to you.



Contact our
consultant

Quote¹

48 h



Order Confirmation

Production¹

2 - 3 weeks



Dispatch

Transit

location based



Delivery

Contact Us

Ready to make an impact? We are just an email or call away to discuss your project and answer any question.



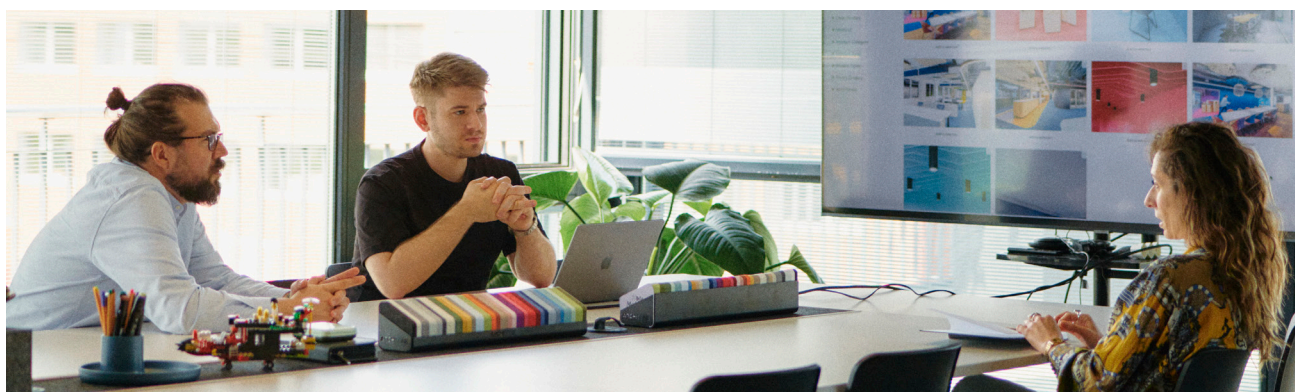
+41 41 566 55 55



connect@impactacoustic.com



Online form



¹ - Quote and Production times may vary.

IMPACT ACOUSTIC®
Accessories rev.01 - 16.01.24

(Switzerland)
(USA)
(Philippines)

connect@impactacoustic.com
usa@impactacoustic.com
philippines@impactacoustic.com

(+41) 41 566 55 55
(+1) 646 918 1581
(+63) 285 80 02 50

#WeMakeAnImpact

**#We
Make An
Impact**

connect@impactacoustic.com | www.impactacoustic.com